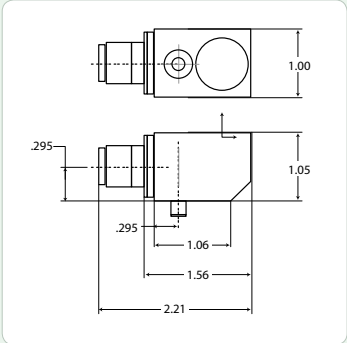


Model 6061-IS

Premium Side Exit Industrial Intrinsically Safe Accelerometer



DESCRIPTION AND FEATURES

6061-IS accelerometers feature welded hermetically sealed construction, side 2-Pin MIL style connector, and 1/4-28 mounting stud.

- 100 mV/g
- IP-67
- Welded Hermetic Seal
- 2-Pin MIL Style Connector
- Intrinsically Safe FM Certified

APPLICATIONS

- General Industrial
- Motors/Generators
- Pumps
- Gearboxes
- Rollers
- Experimental
- Fans/Cooling Towers
- Bearing Housings
- Compressors

CERTIFICATE OF COMPLIANCE

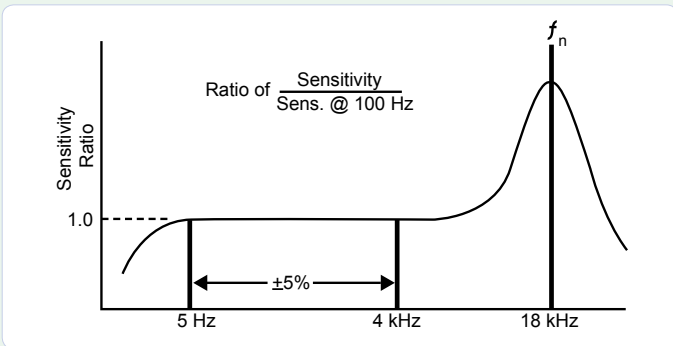
IS/ I, II, III / 1/ ABCDEFG/ T4 Ta = -55°C to +85°C – 9358-6000; Entity; IP 67

NI/ I/ 2/ ABCD/ T4 Ta = -55°C to +85°C; IP 67

NI/ II, III/ FG/ T4 Ta = -55°C to +85°C; IP 67

Entity Parameters:

Vmax = 30V, Imax = 50mA, Ci = 1200pF, Li = 0



OPERATING SPECIFICATIONS

Dynamic

Sensitivity @ 100 Hz, ± 5% 100 mV/g
 Frequency Range ± 5% 5 Hz - 4 kHz
 Frequency Range ± 10% 4 Hz - 7 kHz
 Frequency Range ± 3 dB 2 Hz - 12 kHz
 Turn-On Time..... < 0.5 Seconds
 Amplitude Range..... ± 70 g-pk
 Mounted Resonance (nominal) > 18 kHz
 Transverse Sensitivity < 5%
 Amplitude Linearity < 1%

Electrical

Noise Broadband 2.5 Hz to 20 kHz 350 µg (rms)
 Noise Spectral 10 Hz..... 30 µg/vHz
 Noise Spectral 100 Hz..... 8 µg/vHz
 Noise Spectral 1000 Hz..... 3 µg/vHz
 Output Impedance (nominal) < 100 Ω
 Isolation Isolated
 Bias Volts (nominal)..... 12-14 VDC
 Power Requirements 24-30 VDC
 Current Regulating Diode 2-6 mA cc

Environmental

Temperature Range -40 to 250°F / -40 to 121°C
 Base Strain (NOM)005 g peak/µstrain
 Shock Limit 5,000 g-pk

Physical

Dimensions..... 1.05" H x 2.2" L x 1" W
 Weight 154 grams
 Case Material..... Type 304L Stainless Steel
 Design..... Piezoelectric Compression
 Seal..... Welded - Hermetic
 Mounting..... 1/4-28 through bolt
 Mounting Torque..... 35 in-lb (3.9 N-m)

ORDERING INFORMATION AND ACCESSORIES

Model 6061-IS, Mfr. Part No. 6061-IS-5015

Power Supplies, 2 mA output, BNC/BNC, 24 VDC
 Model P5000 (rechargeable battery) 9356559
 Model LP24-1B (110 VAC Line Input) 9356120

Cable, 2-Pin MIL/BNC Splash Proof 6'/15' RG58 ... 9354092-S
 Cable, 2-Pin MIL/Pigtail 6' high temperature 9354084
 Cable, 2-Pin MIL/BNC 6' high temperature 9356381

Magnetic holder, 16 lb (for curved/flat surfaces) ... 9356809

Sensors include

NIST Traceable Calibration, ¼-28 Mounting Stud
 User Manual, 1-Year Warranty

WORLDWIDE HEADQUARTERS:
 195 Clarksville Rd •
 Princeton Jct, NJ 08550 • USA
 T: +1.609.716.4000 • F: +1.609.716.0706
 E-MAIL: sales.systems@mistrasgroup.com

CANADA T: +1.403.556.1350
CHINA T: +86.10.5877.3672
FRANCE T: +331.498.26040
GERMANY T: +49.040.2000.4025
GREECE T: +30.210.2846.801

HOLLAND T: +31.010.245.0325
INDIA T: +91.22.2586.2444
JAPAN T: +81.33.498.3570
MIDDLE EAST T: +44(0)1954.231.612
RUSSIA T: +7495.789.4549

SCANDINAVIA T: +46(0)31.252040
S. AMERICA T: +55.11.3082.5111
UK T: +44(0)1954.231.612