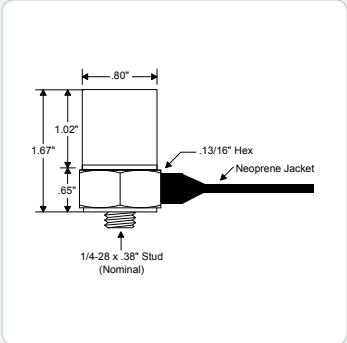


PRODUCT DATA SHEET

Models 1024-4

Premium Underwater Accelerometer



DESCRIPTION AND FEATURES

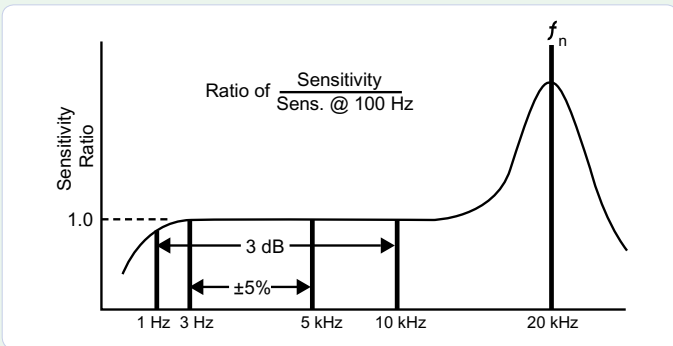
This model is ideal for a variety of underwater applications which may require high output, low noise and wide frequency range.

Includes integral 1/4-28 mounting stud. Model 1024-4 features underwater operation to 1000 psi.

- 100 mV/g
- Underwater Operation
- Superior Sealing
- Integral Underwater Cable
- Titanium Construction
- Resists Galvanic Corrosion
- ISOSHIELD Internal Electrical Shielding

APPLICATIONS

- Seawater Exposure
- Deep Draft Pumps
- Underwater Motors
- Experimental



OPERATING SPECIFICATIONS

Dynamic

Sensitivity @ 100 Hz, ± 5%	100 mV/g - 10.2 mV/(m/s ²)
Frequency Range ± 5%	3 Hz - 5 kHz
Frequency Range ± 10%	2 Hz - 8 kHz
Frequency Range ± 3 dB	1 Hz - 10 kHz
Turn-On Time	< 1.5 Seconds
Amplitude Range	± 60 g
Mounted Resonance	> 20 kHz
Transverse Sensitivity	< 5%

Electrical

Noise Broadband 2.5 Hz to 25 kHz	250 µg (rms)
Noise Spectral 10 Hz	12 µg/vHz
Noise Spectral 100 Hz	5 µg/vHz
Noise Spectral 1000 Hz	2 µg/vHz
Output Impedance (nominal)	< 100 Ω
Isolation	Isolated, > 100 Meg Ω
Noise Rejection (EMI/RFI)	> 80dB, IsoShield™
Bias Volts (nominal)	10 VDC
Power Requirements	24-30 VDC
Current Regulating Diode	2-6 mA cc

Environmental

Temperature Range	-40 to 250°F / -40 to 121°C
Base Strain	0.005 g peak/µstrain
Thermal Shock	0.1 g/°C
Shock Limit	5,000 g
Pressure Limit	1,000 psi

Physical

Dimensions	1.67" h x .82" hex (4.2 x 2.1 cm)
Weight	60 grams
Case Material	Titanium
Design	Compression
Seal	Welded
Mounting	1/4-28 Removable Stud
Mounting Torque	35 in-lb (40 cm-kg)
Cable/Connector	50' Integral Neoprene Cable to Pigtail

ORDERING INFORMATION AND ACCESSORIES

Model 1024-4, Mfr. Part No. 9354291

Sensors include

- NIST Traceable Calibration
- 50' Integral Cable Assembly
- Mounting Stud
- User Manual
- 1-Year Warranty

WORLDWIDE HEADQUARTERS:
195 Clarksville Rd •
Princeton Jct, NJ 08550 • USA
T: +1.609.716.4000 • F: +1.609.716.0706
E-MAIL: sales.systems@mistrasgroup.com

CANADA T: +1.403.556.1350
CHINA T: +86.10.5877.3672
FRANCE T: +331.498.26040
GERMANY T: +49.040.2000.4025
GREECE T: +30.210.2846.801

HOLLAND T: +31.010.245.0325
INDIA T: +91.22.2586.2444
JAPAN T: +81.33.498.3570
MIDDLE EAST T: +44(0)1954.231.612
RUSSIA T: +7495.789.4549

SCANDINAVIA T: +46(0)31.252040
S. AMERICA T: +55.11.3082.5111
UK T: +44(0)1954.231.612