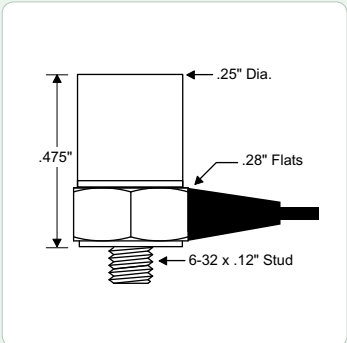


Models 1000/A/B

Miniature Premium 10 or 1.5 mV/g Accelerometer



DESCRIPTION AND FEATURES

Designed with a very low mass, these sensors are ideal for high frequency applications. The 1000 sensors are electrically isolated and available with or without a mounting stud.

All model 1000 sensors include integral cables with 10-32 coaxial connectors. Models 1000 and 1000B utilize a 6-32 mounting stud; the 1000A is mounted with adhesive.

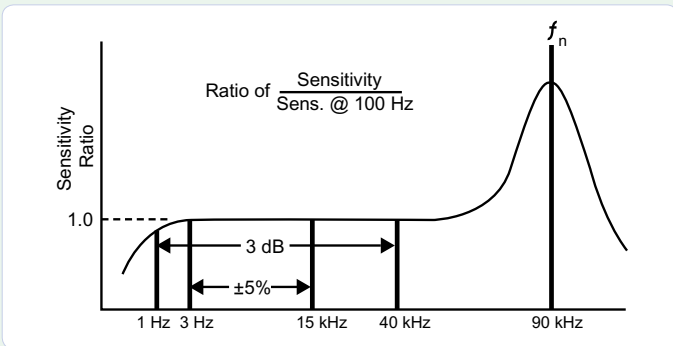
- 10 mV/g & High Shock 1.5 mV/g
- Small Size/Mass
- Intg. Coaxial Strain-Relieved Cable with 10-32 or BNC Connector
- Broad Frequency Range

APPLICATIONS

- Dry Industrial
- Motors/Generators
- Pumps
- Gears/Bearings
- Rollers
- Experimental
- Aerospace
- Military
- Machining Centers
- Impact Testing (1000B)

Sensors include

NIST Traceable Calibration, 6' Integral Cable Assembly, Thermal Boot, User Manual, 1-Year Warranty



OPERATING SPECIFICATIONS

Dynamic

Sensitivity @ 100 Hz, ± 5%	
1000, 1000A	10 mV/g - 1.02 mV/(m/s ²)
1000B ± 20%	1.5 mV/g - 0.15 mV/(m/s ²)
Frequency Range ± 5%	3 Hz - 15 kHz
Frequency Range ± 10%	2 Hz - 18 kHz
Frequency Range ± 3 dB	1 Hz - 40 kHz
Turn-On Time	< 5 Seconds
Amplitude Range 1000	± 500 g
Amplitude Range 1000A	± 500 g
Amplitude Range 1000B	± 2500 g
Mounted Resonance	> 90 kHz
Transverse Sensitivity	< 5%

Electrical

Noise Broadband 2.5 Hz to 25 kHz	1500 µg (rms)
Noise Spectral 10 Hz	100 µg/√Hz
Noise Spectral 100 Hz	25 µg/√Hz
Noise Spectral 1000 Hz	10 µg/√Hz
Output Impedance (nominal)	< 1000 Ω
Isolation	Isolated, > 100 Meg Ω
Bias Volts (nominal)	7 VDC
Power Requirements	15-30 VDC
Current Regulating Diode	2-6 mA cc

Environmental

Temperature Range	-40 to 250°F / -40 to 121°C
Base Strain	0.005 g peak/µstrain
Thermal Shock	4 g/°C
Shock Limit	5,000 g

Physical

Dimensions	0.45" h x 0.28" flats (1.1 x 0.7 cm)
Weight	2 grams
Case Material	Titanium
Design	Isolated Compression Seal
Mounting 1000, 1000B	Epoxy
Mounting 1000A	6-32 Integral Stud
Mounting Torque	Adhesive
Connector	10 in-lb (1.1 N-m)
Connector	6' Integral Cable / 10-32

ORDERING INFORMATION AND ACCESSORIES

- Model 1000 (Isolated, 6-32 Stud), Mfr. Part No. 1000-5015
- Model 1000-BNC (w/BNC connector)
Mfr. Part No. 1000-BNC-5015
- Model 1000A (Isolated, No Stud), Mfr. Part No. 1000A-5015
- Model 1000A-BNC (w/BNC connector)
Mfr. Part No. 1000A-BNC-5015
- Model 1000B (Shock, 1/5 m V/g)
Mfr. Part No. 1000B-5015
- Model 1000B-BNC (w/BNC connector)
Mfr. Part No. 1000B-BNC-5015

WORLDWIDE HEADQUARTERS:
195 Clarksville Rd •
Princeton Jct, NJ 08550 • USA
T: +1.609.716.4000 • F: +1.609.716.0706
E-MAIL: sales.systems@mistrasgroup.com

CANADA T: +1.403.556.1350
CHINA T: +86.10.5877.3672
FRANCE T: +331.498.26040
GERMANY T: +49.040.2000.4025
GREECE T: +30.210.2846.801

HOLLAND T: +31.010.245.0325
INDIA T: +91.22.2586.2444
JAPAN T: +81.33.498.3570
MIDDLE EAST T: +44(0)1954.231.612
RUSSIA T: +7495.789.4549

SCANDINAVIA T: +46(0)31.252040
S. AMERICA T: +55.11.3082.5111
UK T: +44(0)1954.231.612