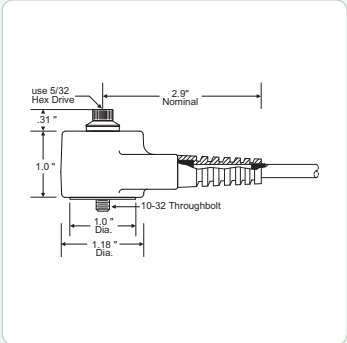


Model 7002LF

Low-Frequency Industrial Accelerometer



DESCRIPTION AND FEATURES

These rugged electron-beam welded sensors include a stainless steel housing and injection-molded composite construction. Their compact design permits mounting in tight spaces.

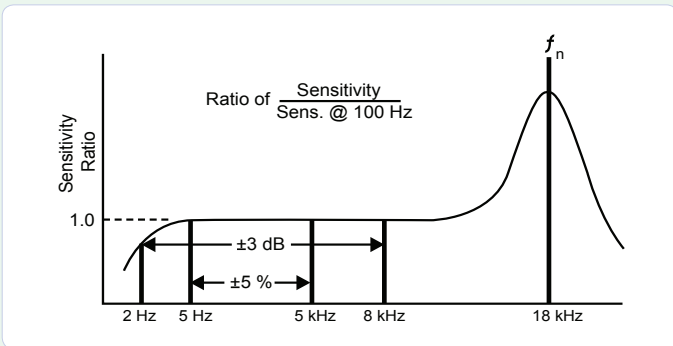
Perfect for general machinery, the 7002 includes a 10-32 center throughbolt for easy mounting.

All 7002 models include integral cable assemblies for excellent water and chemical resistance. The 7002 series sensors come with a full 2-Year Warranty.

- 100 mV/g
- Extended Low Frequency Range
- Integral Cable
- Exclusive Injection Molded Composite Body
- Unique Throughbolt Mounting Design
- Isolated Symmetrical Shear Mode Sensing

APPLICATIONS

- All Low Speed Applications



OPERATING SPECIFICATIONS

Dynamic

Sensitivity @ 100 Hz, ± 10%	100 mV/g - 10.2 mV/(m/s ²)
Frequency Range ± 5%	1.2 Hz - 5 kHz
Frequency Range ± 10%	0.8 Hz - 7 kHz
Frequency Range ± 3 dB	0.4 Hz - 8 kHz
Turn-On Time (2% of Final Bias)	< 0.3 Seconds
Amplitude Range (at 72°F)	± 65 g
Mounted Resonance	18 kHz
Transverse Sensitivity	< 5%
Amplitude Linearity	< 1%

Electrical

Noise Broadband 2.5 Hz to 25 kHz	300 µg RMS
Noise Spectral 10 Hz	28 µg/vHz
Noise Spectral 100 Hz	8 µg/vHz
Noise Spectral 1000 Hz	4 µg/vHz
Output Impedance (nominal)	100 Ω
Isolation	Isolated, > 100 Meg Ω
Noise Rejection (EMI/RFI)	> 52dB
Bias Volts (nominal)	12 VDC
Power Requirements	24-30 VDC
Current Regulating Diode	2-6 mA cc

Environmental

Temperature Range	-10 to 200°F / -20 to 95°C
Base Strain (NOM)	0.001 g peak/µstrain
Thermal Shock	< .0002 g Peak/°C
Shock Limit	5,000 g Peak

Physical

Dimensions	1.0" h x 1.2" Diameter (2.5 x 3 cm)
Weight	1.6 oz / 45 grams, plus cable
Case Material	Welded Stainless Steel w/ Composite Polymer
Design	Isolated Shear
Seal	Injection Molded Encapsulant
Mounting	10-32 Captive Throughbolt
Mounting Torque	20 in-lb. (2.2 N-m)
Cable/Connector	PVC to BNC or Pigtail

ORDERING INFORMATION AND ACCESSORIES

Model 7002LFP (Pigtail), Mfr. Part No. 9357113
 Model 7002LFB (BNC), Mfr. Part No. 9357112

Sensors include

- NIST Traceable Calibration
- 15' Cable Assembly
- Mounting Throughbolt
- User Manual and Full 2-Year Warranty

WORLDWIDE HEADQUARTERS:
 195 Clarksville Rd •
 Princeton Jct, NJ 08550 • USA
 T: +1.609.716.4000 • F: +1.609.716.0706
 E-MAIL: sales.systems@mistrasgroup.com

CANADA T: +1.403.556.1350
CHINA T: +86.10.5877.3672
FRANCE T: +331.498.26040
GERMANY T: +49.040.2000.4025
GREECE T: +30.210.2846.801

HOLLAND T: +31.010.245.0325
INDIA T: +91.22.2586.2444
JAPAN T: +81.33.498.3570
MIDDLE EAST T: +44(0)1954.231.612
RUSSIA T: +7495.789.4549

SCANDINAVIA T: +46(0)31.252040
S. AMERICA T: +55.11.3082.5111
UK T: +44(0)1954.231.612