

PRODUCT DATA SHEET

Model 6420V

Loop Powered 4-20 MA Velocity Output Accelerometer



DESCRIPTION AND FEATURES

- Output 4-20 mA
- Welded Hermetic Seal
- 2-Pin MIL Style Connector
- 2 Ranges - 1 & 2 in/sec Full-Scale

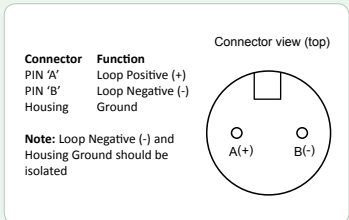
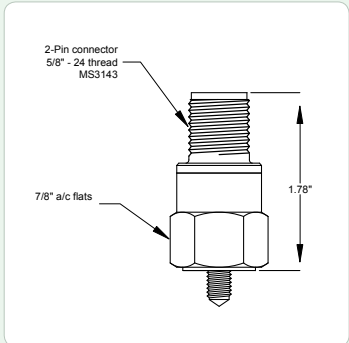
OUTLINE DRAWING NOTATIONS

PIN A Loop Positive (+) Function

PIN B Loop Negative (-) Function

Housing Ground

Loop Negative (-) and Housing Ground should be isolated.



OPERATING SPECIFICATIONS

Dynamic

Current Output..... 4-20 mA +/- 5%*
 Frequency Range ± 10% 10 Hz - 1000 Hz
 Frequency Range ± 3 dB 6 Hz - 2500 Hz
 Turn-On Time..... ≤ 60 Seconds
 Transverse Sensitivity (nominal)..... 5%
 Amplitude Linearity..... ≤ 2%

Electrical

Max Load Resistance 500 Ω
 Grounding..... Isolated
 Power Requirements 18-30 VDC

Environmental

Temperature Range -40 to 185°F / -40 to 85°C
 Base Strain (Nominal)..... 0.001 g peak/μstrain
 Shock Limit 2,000 g Peak

Physical

Dimensions..... 1.78" h x .875" (Across Flats)
 Weight 75 grams
 Case Material..... Type 316L Stainless Steel
 Design..... Piezoelectric/Compression
 Seal..... Welded/Hermetic
 Mounting..... 1/4-28 Stud
 Mounting Torque..... 25 in-lb (2.8 N-m)

* An output of 4mA indicates a level of 0 in/sec or no vibration present. A full-scale reading of 20mA indicates that the maximum range (RMS) of vibration is present.

ORDERING INFORMATION AND ACCESSORIES

- Model 6420V-05 (0-.5 IPS RMS 12.7 mm/sec)
Mfr. Part No. 9357255-05
- Model 6420V-10 (0-1.0 IPS RMS 25.4 mm/sec)
Mfr. Part No. 9357255-10
- Model 6420V-20 (0-2.0 IPS RMS 50.8 mm/sec)
Mfr. Part No. 9357255-20

Sensors include

- Calibrated Current Output @ 61.5 Hz
- 1/4-28 Mounting Stud
- 1-Year Warranty



WORLDWIDE HEADQUARTERS:
 195 Clarksville Rd •
 Princeton Jct, NJ 08550 • USA
 T: +1.609.716.4000 • F: +1.609.716.0706
 E-MAIL: sales.systems@mistrasgroup.com

CANADA T: +1.403.556.1350
CHINA T: +86.10.5877.3672
FRANCE T: +331.498.26040
GERMANY T: +49.040.2000.4025
GREECE T: +30.210.2846.801

HOLLAND T: +31.010.245.0325
INDIA T: +91.22.2586.2444
JAPAN T: +81.33.498.3570
MIDDLE EAST T: +44(0)1954.231.612
RUSSIA T: +7495.789.4549

SCANDINAVIA T: +46(0)31.252040
S. AMERICA T: +55.11.3082.5111
UK T: +44(0)1954.231.612